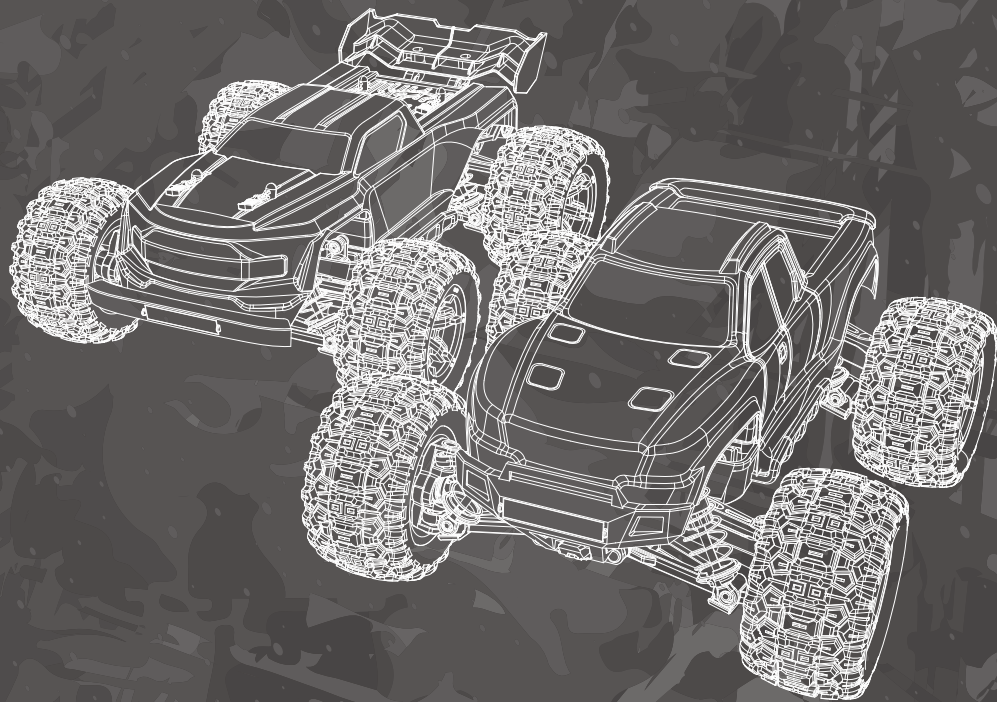


No.H16H/H16E

14+

HYPER GO

1:16 RC HIGH SPEED CAR USER MANUAL



V3

4WD
REMOTE CONTROL

The instruction sheet for this product is just for your reference. We reserve the right to make changes or adjustments on the product without prior notification. Please refer to the official information.

Warning:

Choking hazard! This product contains small parts. NOT suitable for children under 3 years. Contains electrical components and should be kept dry at all times. Regularly check the battery charger wires, plugs and shell and other components for damage. DO NOT use if any part is damaged.

Warnings & Cautions

1. Detachable small parts should be stored safely and out of reach of children.
2. If interference is experienced, turn the model off and try it again in a different area.
3. Transmitter will not function correctly if the batteries are low. Please replace the batteries.
4. Please discard old/used batteries in a safe manner. Consider your environment!
5. Please store the remote control model in cool, dry place.
6. DO NOT expose to fire or high temperatures, do not store in moist place.
7. Once the battery get wet, wipe immediately with a soft dry cloth.
If the battery any deformation, please stop using.
8. If you don't use the model for a long time, please raise the chassis to let the wheels hang in the air.


Precautions for Battery Use

1. Transmitter uses 3x1.5V "AA" batteries. (Battery not included)
2. Please pay attention to correct polarity when replacing batteries.
3. Rechargeable batteries should be charged under adult supervision.
4. Do not mix old and new batteries. Do not mix alkaline, standard (carbon-zinc), or rechargeable batteries.
5. After the battery is exhausted, the model should be removed.
6. Exhaust battery should be safety dispose!
7. DO NOT short circuit any terminals.
8. DO NOT attempt to recharge non rechargeable batteries.
9. Remove batteries from the model when charging.
10. DO NOT put batteries into a fire or into water.
11. The rated input voltage battery charger MUST be suitable for your mains power voltage.
12. During charging it is quite normal for the charger and batteries to heat up.
13. Do not swallow battery!
14. Store only in cool, dry and dark places and should be keep out of the children!
15. When the battery leaks the liquid and let it into you eyes, please right away rinse them and consult an ophthalmologist.

Safety Precautions

- It is a radio control model, not a toy!
- In order to enjoy running the car, you need to finish assembly before operation. Do routine maintenance work after operation. Replacement parts and option parts are available separately.
- Improper usage with Alkaline cells or rechargeable batteries may damage the electronics for the car or the radio.

In order to operate the car safely. Be sure that you have observed the following points:

 Please follow the points as below in order to prevent accident from happening to the car and people.



- Be sure to read thoroughly the manual before you begin. Fresh user should seek advice from people having rich experience in order to assemble the model correctly.



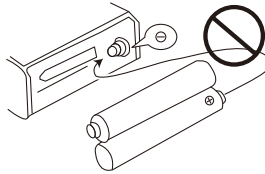
- Cutters, nippers and screwdrivers need careful handling.



- As the product contains small and sharp parts, assemble and store this product only in places out of the reach of children.



- Do not expose this model to high temperature, humidity or direct sunlight.



- Never reverse connection/ disassemble the battery. This may lead to damage and leakage.

- When the model is not in use, always turn off the receiver and transmitter. Further more, disconnect the batteries and remove them from the model and the transmitter. This may be dangerous such as overheat and leakage.

Operating Your Model Safely

⚠ Do NOT operate the model in the following places and situations.
(Non-observance may lead to accident!)

- Operate your model in spacious and safe areas! Do not operate it:
 1. On road!
 2. In places where children and many people gather.
 3. In residential districts and parks!
 4. Do not operate the model on public roads, in crowded places and near infant as it may cause accidents.
 5. Indoors and in limited space! Non-observance may result in personal injury and property damage!
- The car must stop immediately and check for the reasons when it is operating abnormal. As long as the problem is not cleared, do NOT operate it! This may lead to further trouble and unforeseen accidents!
- Always check the radio batteries!
With weak dry batteries, transmission and reception of the radio would fall off. You may lose control of your model in such condition. This may also cause serious accidents!
- Keep in mind that people around you may also operate a radio control model!
NEVER share the same frequency with somebody else at the same time! Otherwise, Radio signals will be mixed up and you will lose control to your model. This may lead to accidents.
- Do NOT put fingers or any objects inside rotating and moving parts!
- Right after use, do NOT touch the motor! Danger of burning yourself!

FCC PART 15 B Notice: CAUTION

Warning: Changes or modifications to this unit not expressly approved by the party responsible for compliance could void the user's authority to operate the equipment.

NOTE: This equipment has been tested and found to comply with the limits for a Class B digital device, pursuant to Part 15 of the FCC Rules. These limits are designed to provide reasonable protection against harmful interference in a residential installation. This equipment generates, uses and can radiate radio frequency energy and, if not installed and used in accordance with the instructions, may cause harmful interference to radio communications.

However, there is no guarantee that interference will not occur in a particular installation. If this equipment does cause harmful interference to radio or television reception, which can be determined by turning the equipment off and on, the user is encouraged to try to correct the interference by one or more of the following measures:

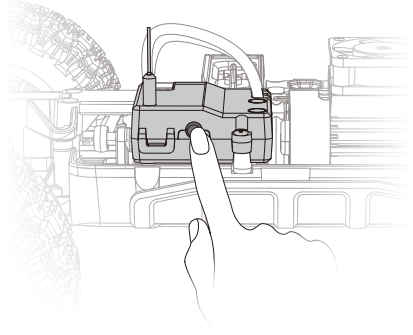
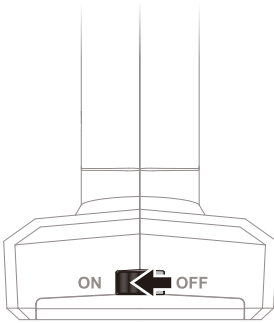
- Reorient or relocate the receiving antenna.
- Increase the separation between the equipment and receiver.
- Connect the equipment into an outlet on a circuit different from that to which the receiver is connected.
- Consult the dealer or an experienced radio/TV technician for help.

This device complies with Part 15 of the FCC Rules. Operation is subject to the following two conditions:

- (1) this device may not cause harmful interference, and
- (2) this device must accept any interference received, including interference that may cause undesired operation.

Switch

1. Turn on the power switch of the transmitter, the signal indicator of the transmitter flashes.
2. Press the car's power switch button on the side of the ESC, the indicator light of high speed car flashes.



Phone Connection

Install the Hyper Wheels App, please scan the below QR code to download.



Hyper Wheels



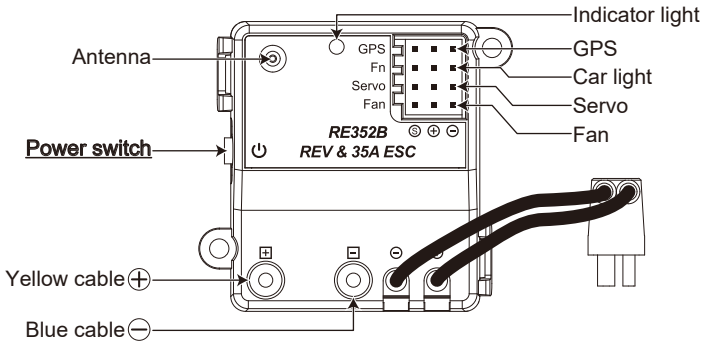
Connect bluetooth

After turning on the transmitter, open the App, click the Bluetooth, then select the transmitter to be connected in the list.

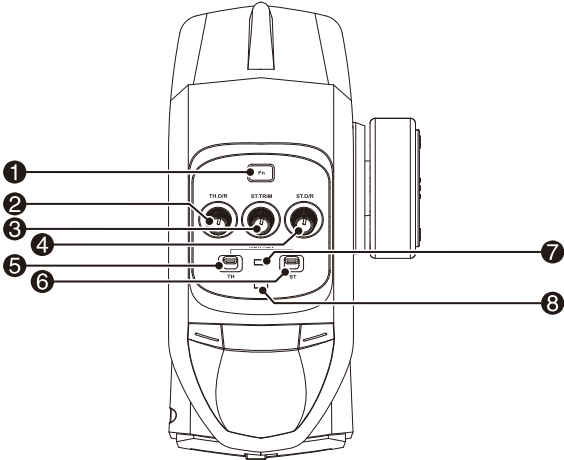


REV & 35A ESC

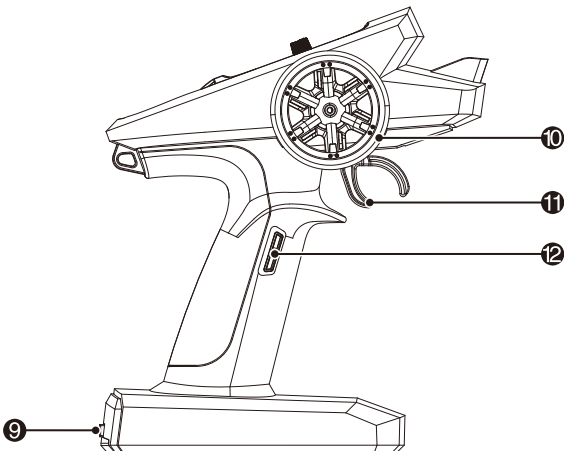
⚠ Please note: Do not insert the plug in the opposite direction.



Transmitter Buttons Name



- ① Fn (CH3 Light control/ Code matching)
- ② TH.D/R (Throttle.D/R trimmer)
- ③ ST.TRIM (Steering servo trimmer)
- ④ ST.D/R (Steering D/R trimmer)
- ⑤ TH.NOR REV (Throttle reverse)
- ⑥ ST.NOR REV (Steering reverse)
- ⑦ Green indicator light (Signal)
- ⑧ Red indicator light (Power)



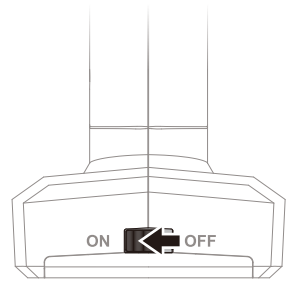
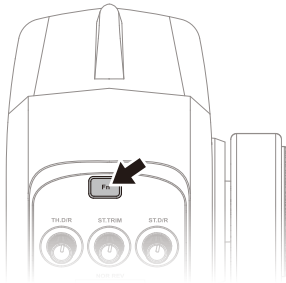
- ⑨ Power switch
- ⑩ CH1: ST (Steering)
- ⑪ CH2: TH (Throttle)
- ⑫ Ejection

①Fn (CH3 Light control/Code matching)

Short Press the “Fn” button to turn on/off the light of high speed car.

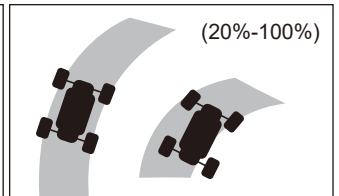
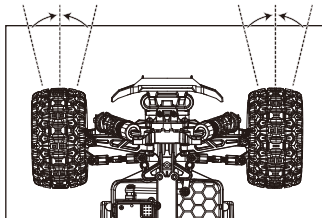
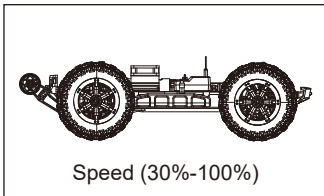
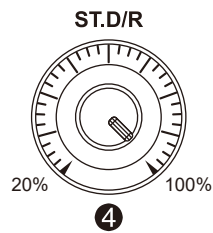
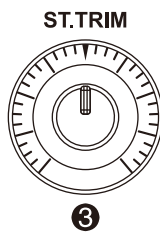
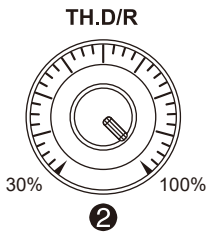
Please follow below steps to re-pair the transmitter if needs.

1. Press and hold the “Fn” button as a below picture, turn on the transmitter power switch, then release the button when the signal indicator light flash, the transmitter is in code matching state.
2. Connect the battery to the car, turn on the power switch, the indicator light of high speed car changes from flashing to staying on, then the code is matching successfully.



⚠ Please note, the car and the transmitter only need to be matching-code at first time, then do not need match again in future, just turn on the car and transmitter to play.

Indicator lights states	Meanings
Indicator lights stay on	The frequency has matched already, can work.
Indicator lights flash quickly	Matching code.
Indicator Lights flash slowly	a. Has lost the signal of transmitter.
	b. Entering into the low-power state.
Indicator Lights off	Entering into over current or over high-temperature protection state.
Indicator Lights flash quickly	Forward or backward.

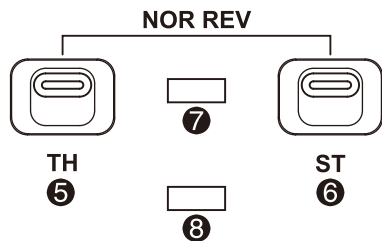


②TH.D/R
(Throttle.D/R trimmer)

③ST.TRIM
(Steering servo trimmer)

④ST.D/R
(Steering D/R trimmer)

If the car can't run straightly during driving, it can be adjusted via this trimmer.



⑤TH.NOR REV (Throttle reverse)

If the forward/backward are reversed after pushing the throttle, such as, the car goes backward after push the throttle, then please toggle this switch.

⑥ST.NOR REV (Steering reverse)

During the turning, if the left and right turning are reversed, such as, you push the turning left button, while the car turns right, then please toggle this switch to adjust.

⑦Green indicator light (Signal)

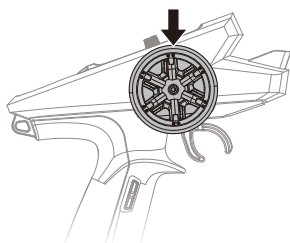
Stay on	Working well
Flash quickly	Matching code
Flash slowly	Signal missing

⑧Red indicator light (Power)

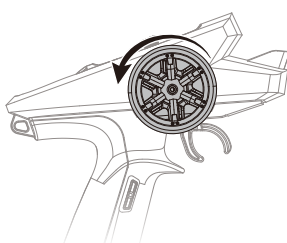
Stay on	Working well
Flash slowly	The power of transmitter is low

⑩CH1: ST (Steering)

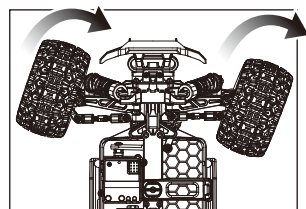
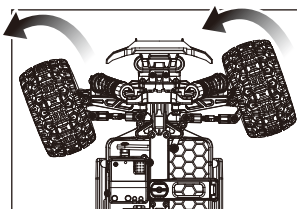
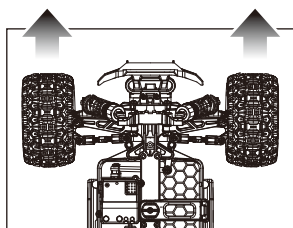
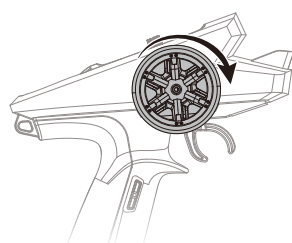
In the middle



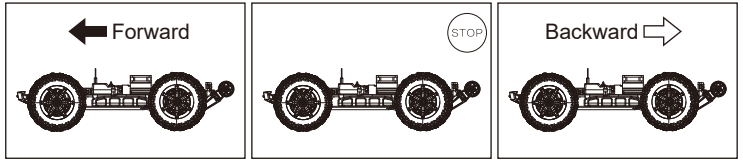
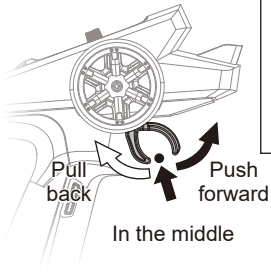
Turn left



Turn right



⑪CH2: TH (Throttle)

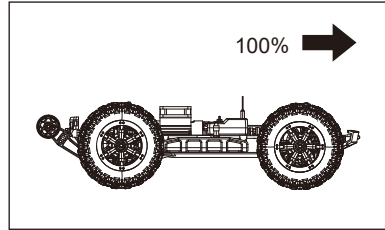
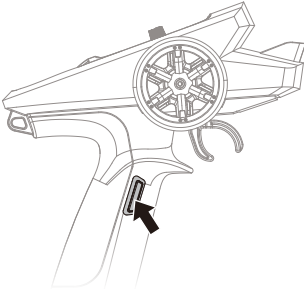


Brake: When the car is running forward, pull back the throttle of transmitter, the car will brake. After pushing the throttle to the middle, pull the throttle back again, then the car will backward.

*Please Note, the car does not have the brake function during backward.

⑫Ejection

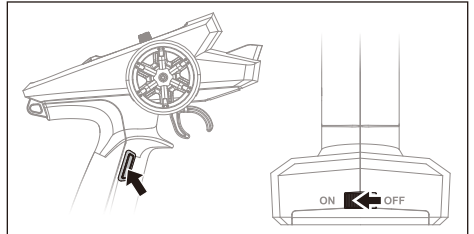
Press the ejection button, the car will move forward as the maximum speed.
(The maximum speed is not affected by TH.D/R)



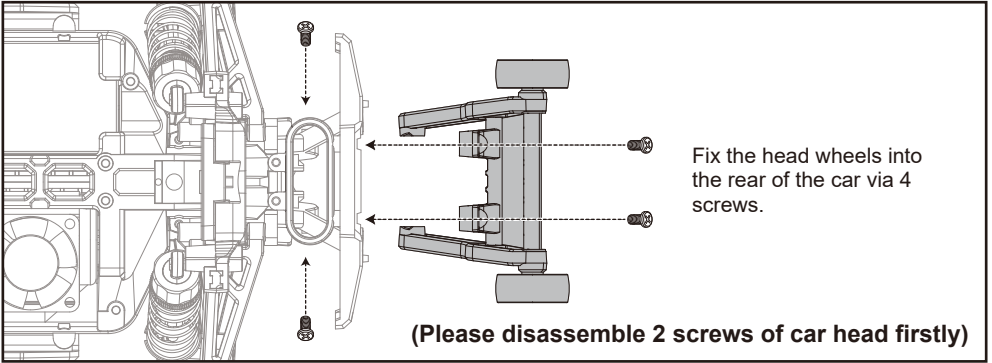
If the throttle and joystick of transmitter doesn't work well, please do calibrate as below method:

When the transmitter is off, press and hold the ejection button, turn on the power switch to complete the transmitter calibration.
(Please note, during the operation, DO NOT touch the steering hand-wheel and throttle)

⚠ If the transmitter is good, then doesn't need to be calibrated.

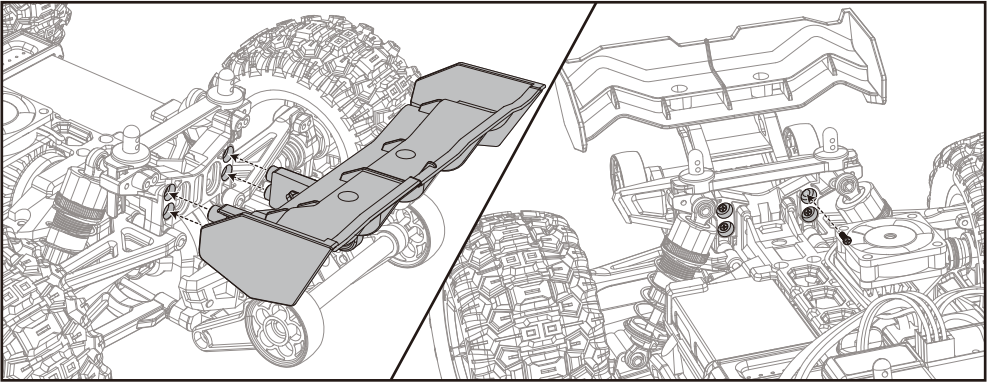


Install the Head Wheels



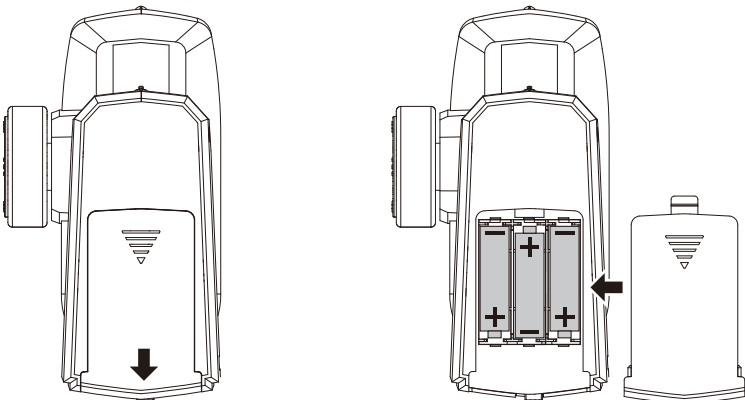
Install the Tail (Use for H16E)

Install the tail to the rear shock tower, lock with 4 screws.



Install the Transmitter's Battery

Open the battery cover of the transmitter, install the 3*AA batteries according to the battery direction in transmitter, then close the battery cover.

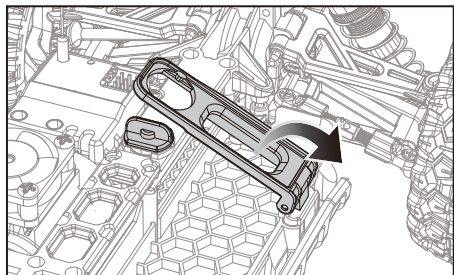


Battery Installation and Charging

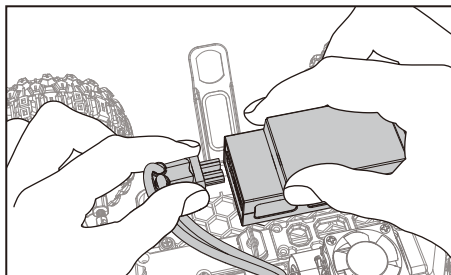
Battery installation

⚠ Please note, the battery is factory specialized battery, if using other non-official battery, the car cannot start.

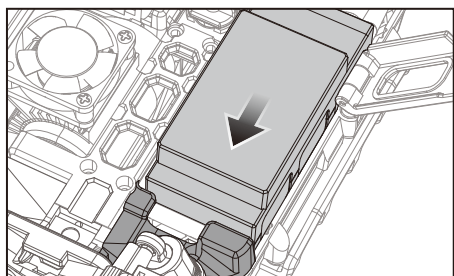
- ① Turn the battery lock knob, then flip up the cover;
- ② Connect the receiver plug to the battery;
- ③ Put the battery into the battery box and make sure it is installed in place;
- ④ Flip back the cover and turn the knob to lock.



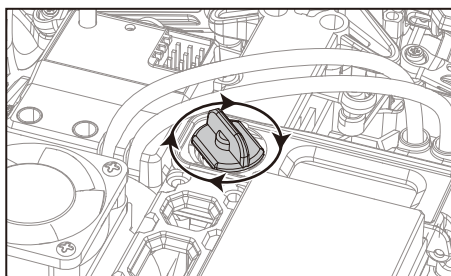
①



②



③



④

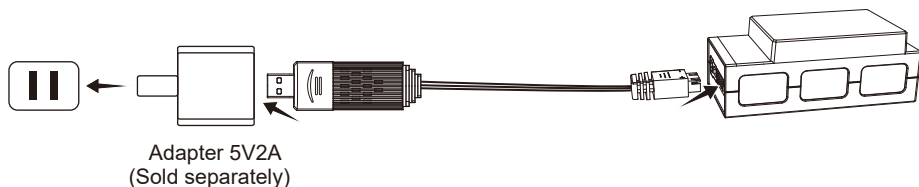
Charge

The battery of H16 series high speed car: 7.4V 1050mAh 25C.

When charging with a 5V 2A USB adapter, the charging time is about 120 minutes.

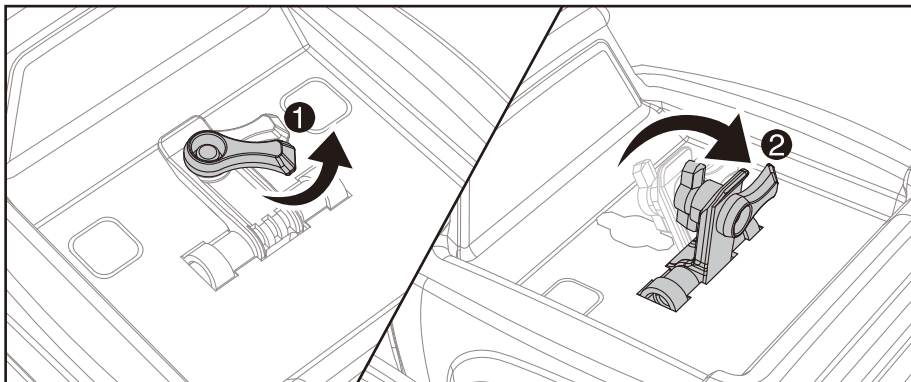
- When the battery is charging, the green indicator light flashes;
- When the battery is fully charged, the green indicator light stays on.

*The above charging time data is base on a 5V 2A adapter. Using different adapters and power supply equipment will affect the actual charging time. It is recommended to use a 5V 2A adapter for charging.

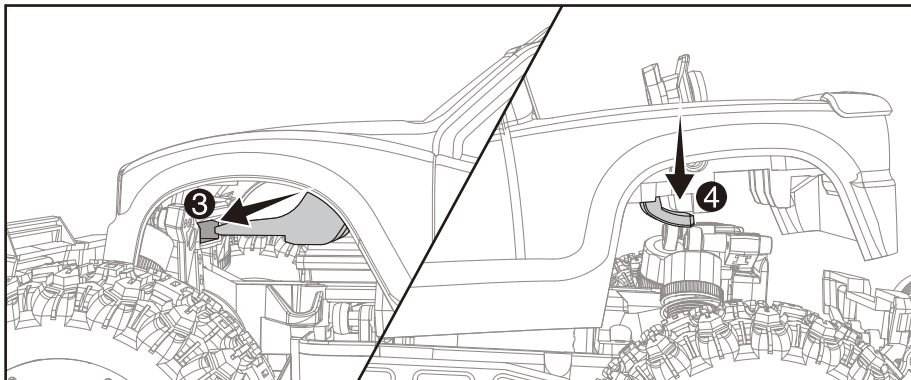


Install the Car Body (Use for H16H)

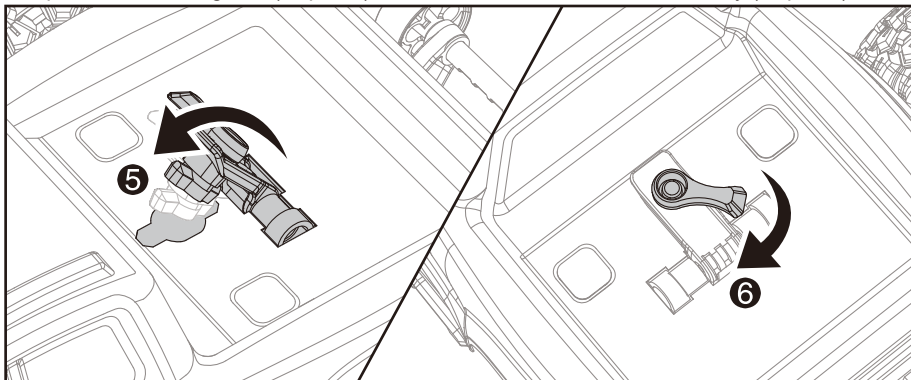
1. Turn the body lock knob (as pic ①), then flip up to open the lock (as pic ②).



2. Insert the car shell into the front shock tower (as pic ③), then press the locking hook vertically down to the rear shock tower (as pic ④).

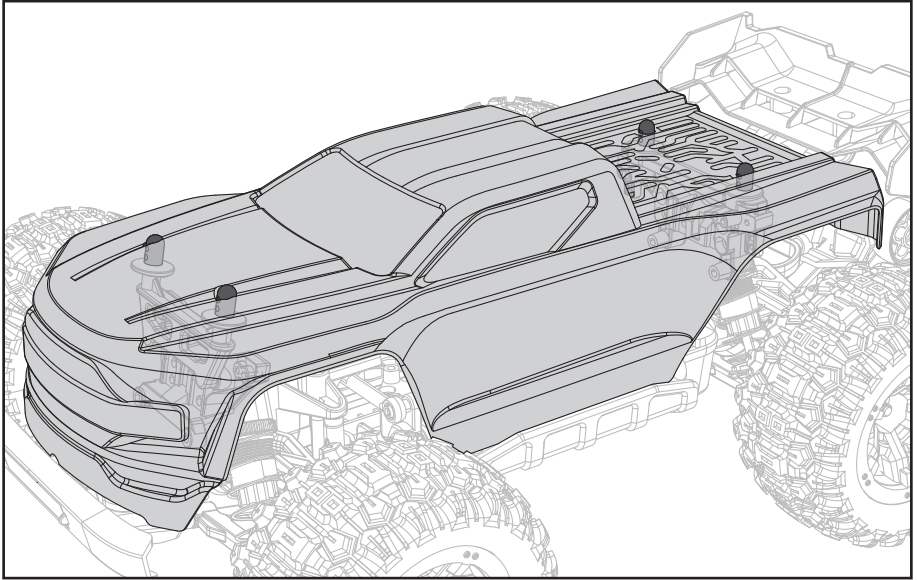


3. Flip down the closing lock (as pic ⑤), then turn the knob to lock the car body (as pic ⑥).

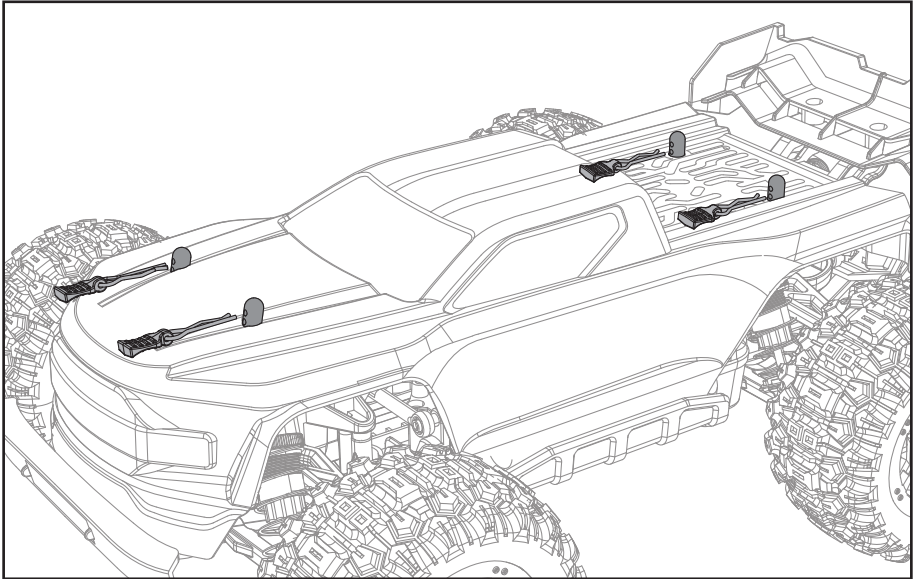


Install Car Shell (Use for H16E)

1. Aline the 4 holes of the car shell with holders, then install it.



2. Insert the 4 clips into the holes to lock the car body.



16100 Front Bumper Assembly (With LED) (Use for H16H)

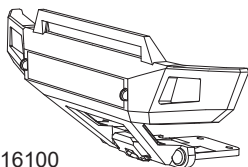
Screw:

M2684 $\varnothing 2.6 \times 8 \text{mm}$ 2PCS

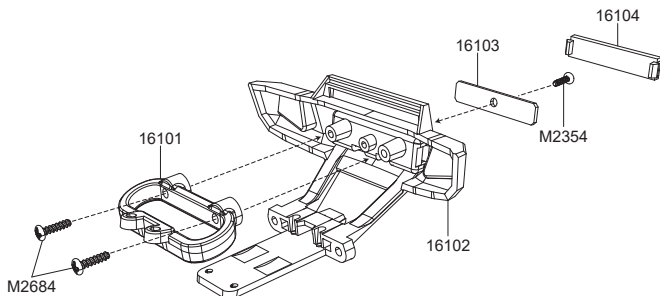
Round head screws ----- 

M2354 $\varnothing 2.3 \times 5 \text{mm}$ 1PCS

Round head screws ----- 



16100



1610E Front Bumper Assembly (With LED) (Use for H16E)

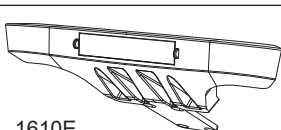
Screw:

M2684 $\varnothing 2.6 \times 8 \text{mm}$ 2PCS

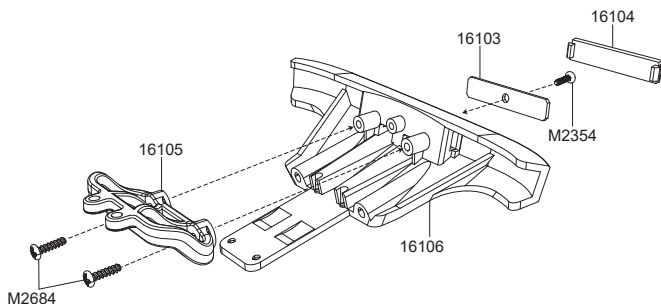
Round head screws ----- 

M2354 $\varnothing 2.3 \times 5 \text{mm}$ 1PCS

Round head screws ----- 



1610E



16200 Front Swing Set

Screw:

M26124 $\varnothing 2.6 \times 12.5 \text{mm}$ 2PCS

Countersunk flat head screws ----- 

Bearing:

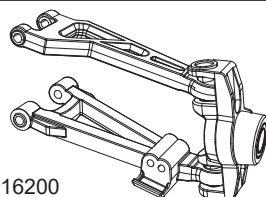
R168Z 2PCS

Ball bearing ----- 

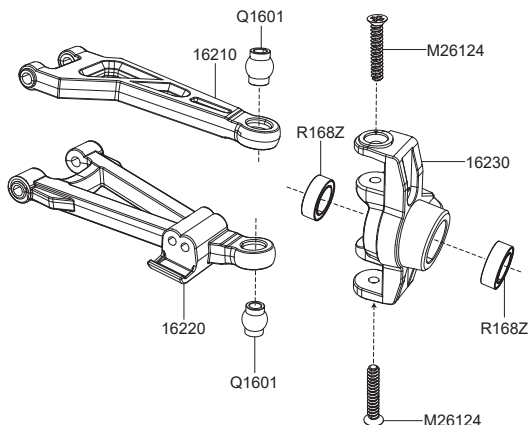
Pivot balls:

Q1601 2PCS

Steering pivot balls ----- 



16200



16201 Rear Swing Set

Screw:

M23124 Ø2.3x12mm 1PCS


Countersunk flat head screws



Bearing:

R168Z 2PCS

Ball bearing



Rear hub pins:

M2523 1PCS

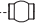
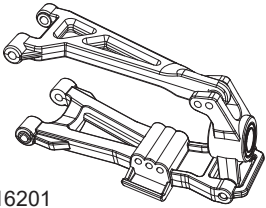
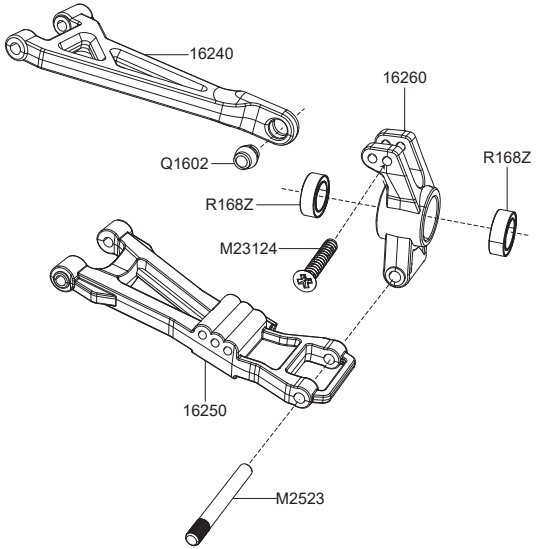
Rear hub pins



Pivot balls:

Q1602 1PCS

Steering pivot balls


16201

16420 Metal Gears Diff Assembly

Screw:


M2123 Ø2x12mm 4PCS

Countersunk flat head screws



M2525 Ø2.5x2.5mm 1PCS


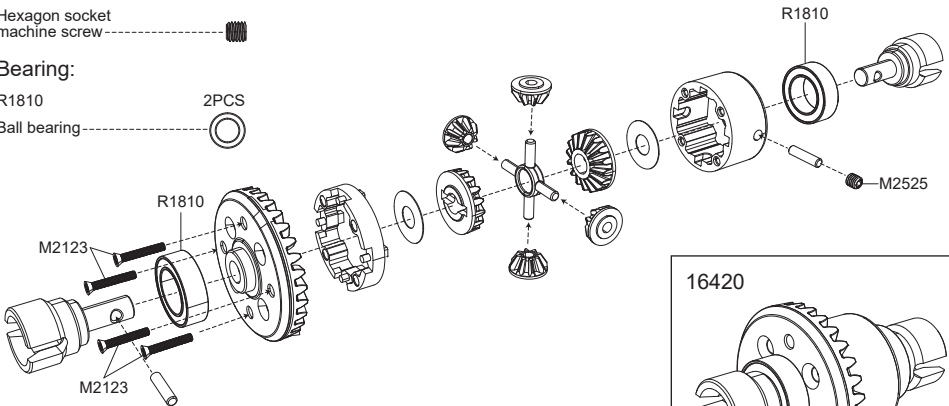
Hexagon socket machine screw



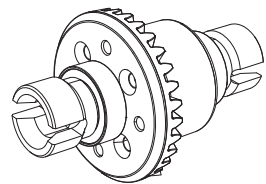
Bearing:

R1810 2PCS

Ball bearing

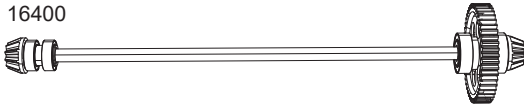
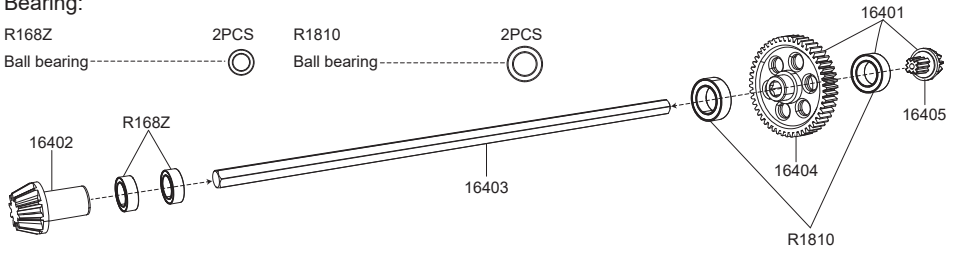
16420



16400 Metal Gears Main Driving Set

Bearing:

R168Z 2PCS R1810 2PCS
 Ball bearing

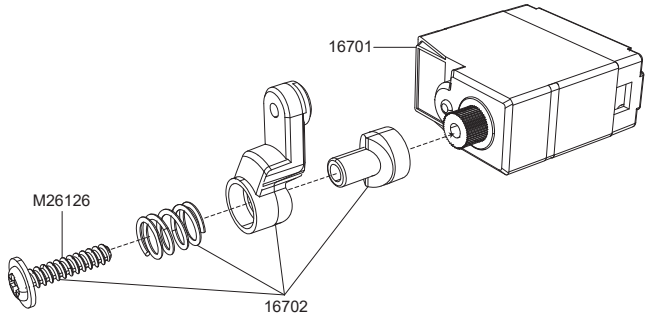
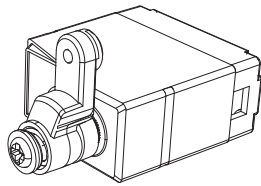


16700 Servo Assembly

Screw:

M26126 $\varnothing 2.6 \times 12 \text{mm}$ 1PCS
 Screws

16700



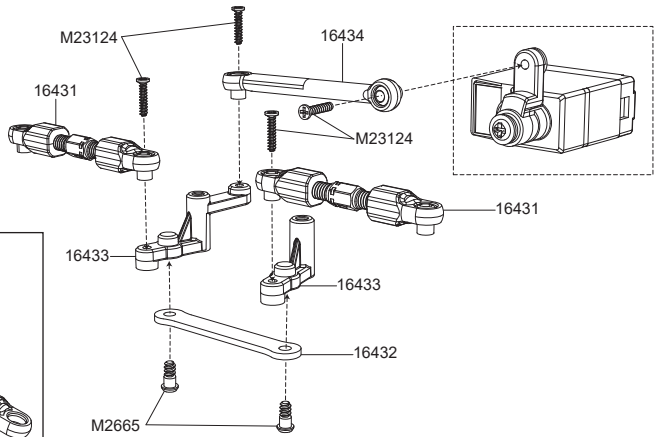
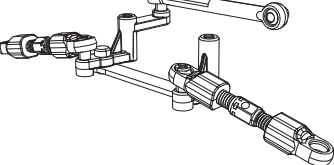
16430S Steering Assembly

Screw:

M23124 $\varnothing 2.3 \times 12 \text{mm}$ 4PCS
 Countersunk flat head screws

M2665 $\varnothing 2.6 \times 6.5 \text{mm}$ 2PCS
 Step flat screws

16430S



Metal Oil Filled Shocks

Shock absorbers adjuster

Spin the suspension adjuster to adjust the shock absorbers' strength.

Add shock oil



16500 (H16H)
16510 (H16E)



Motor Assembly

Screw:

M25845 $\varnothing 2.5 \times 8 \text{mm}$ 2PCS

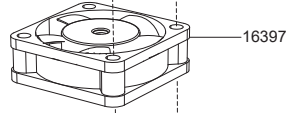
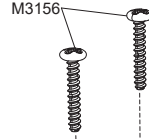
Countersunk flat head screws

M3156 $\varnothing 3 \times 15 \text{mm}$ 2PCS

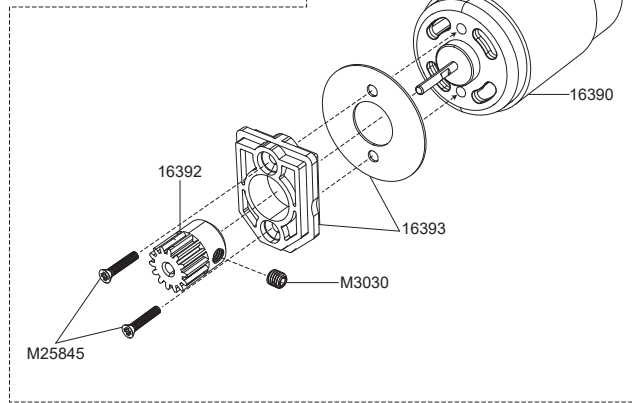
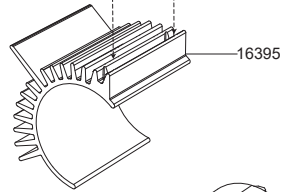
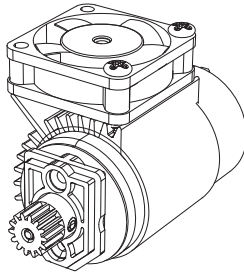
Machine screws

M3030 $\varnothing 3 \times 3 \text{mm}$ 1PCS

Hexagon socket machine screw



1639A & 16397



High Speed Car Assemble

Screw:

M2384 $\varnothing 2.3 \times 8 \text{mm}$ 4PCS

Round head screws ----- 

M2664 $\varnothing 2.6 \times 6 \text{mm}$ 2PCS

Round head screws ----- 

M26104 $\varnothing 2.6 \times 10 \text{mm}$ 10PCS

Round head screws ----- 

M23104 $\varnothing 2.3 \times 10 \text{mm}$ 6PCS

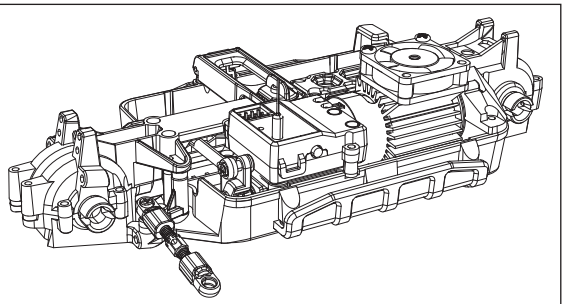
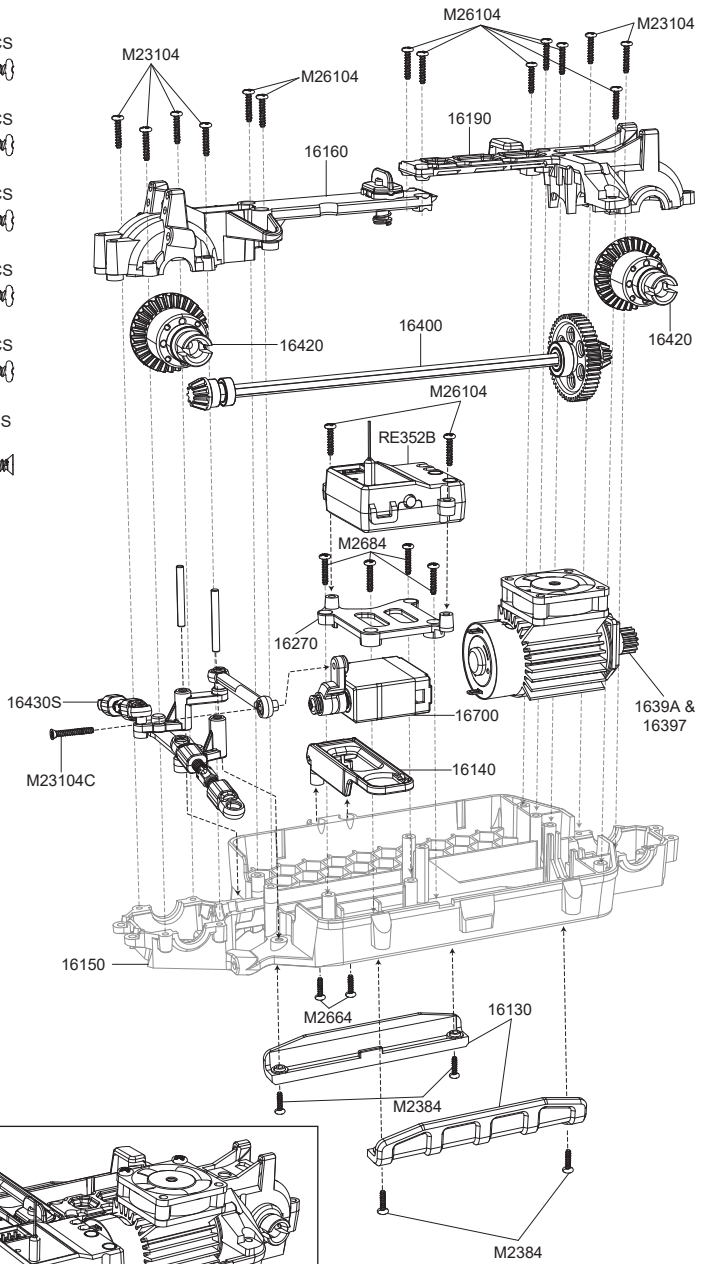
Round head screws ----- 

M2684 $\varnothing 2.6 \times 8 \text{mm}$ 4PCS

Round head screws ----- 

M23104C $\varnothing 2.3 \times 10 \text{mm}$ 1PCS

Countersunk flat head screws ----- 



High Speed Car Assemble

Screw:

M23124 $\varnothing 2.3 \times 12 \text{mm}$ 1PCS (2PCS)

Countersunk flat head screws

M3294 $\varnothing 3 \times 29 \text{mm}$ 4PCS

Round head half thread screws

M26104 $\varnothing 2.6 \times 10 \text{mm}$ 1PCS

Round head screws

M23104 $\varnothing 2.3 \times 10 \text{mm}$ 4PCS

Round head screws

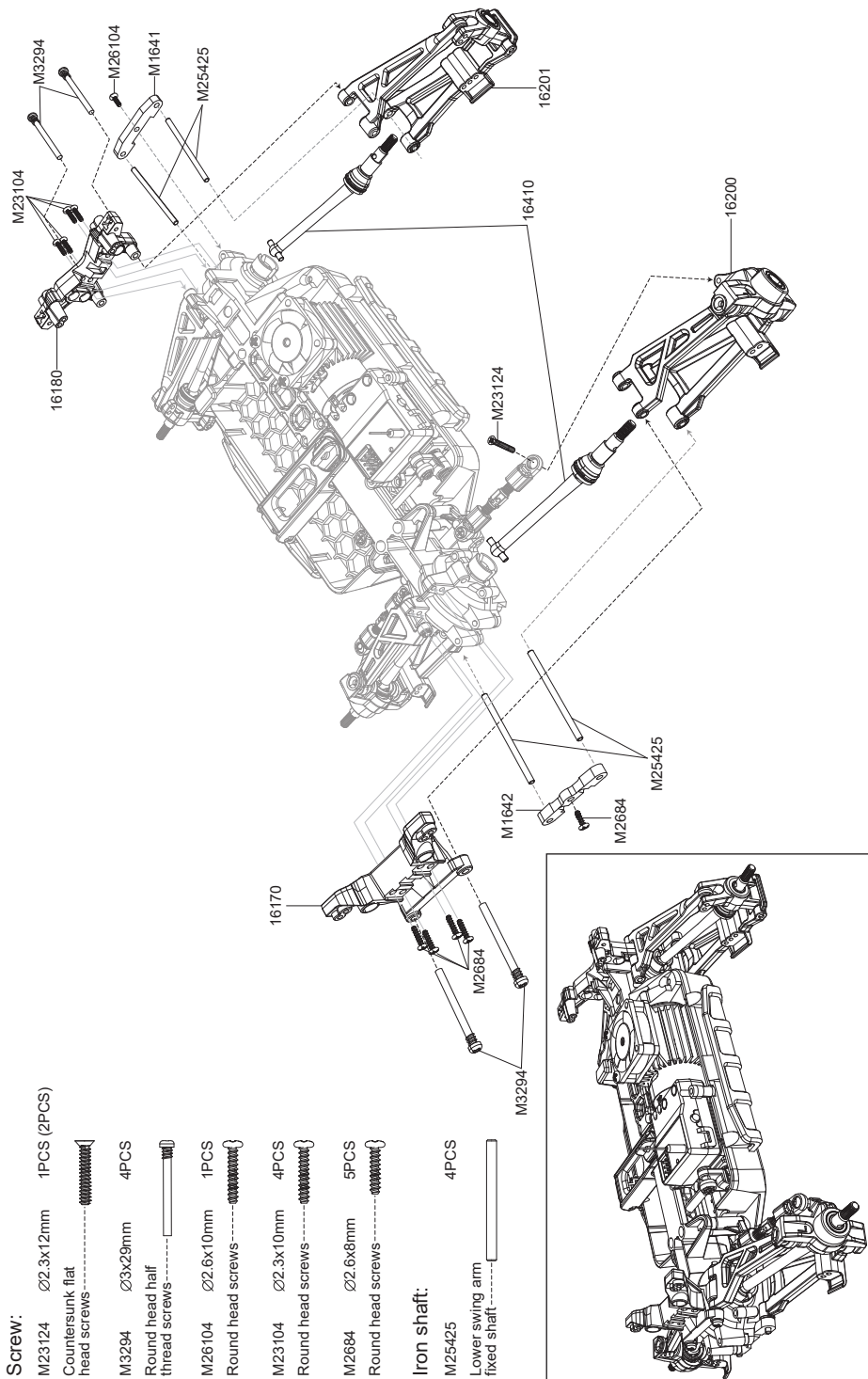
M2684 $\varnothing 2.6 \times 8 \text{mm}$ 5PCS

Round head screws

Iron shaft:

M25425 4PCS

Lower swing arm fixed shaft



High Speed Car Assemble

Screw:

M23124 Ø2.3x12mm 4PCS (8PCS)

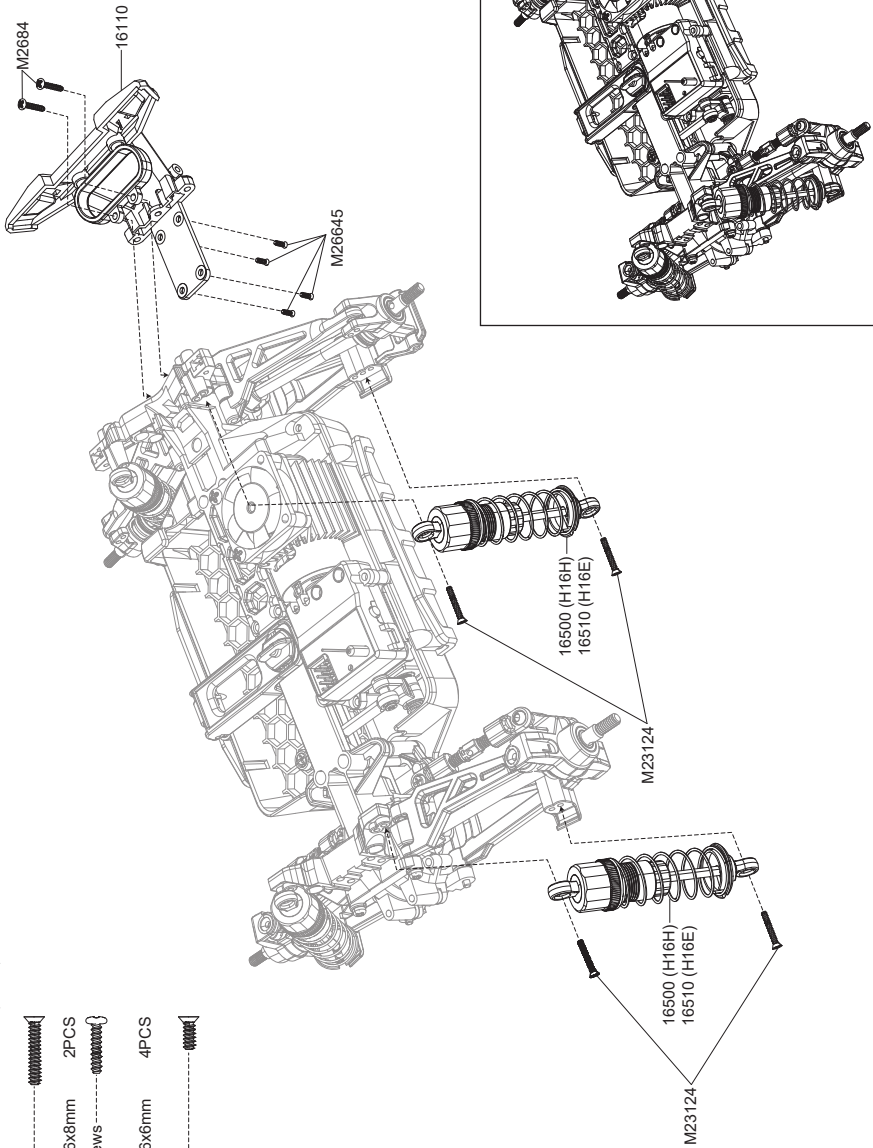
Countersunk flat head screws

M2684 Ø2.6x8mm 2PCS

Round head screws

M26645 Ø2.6x6mm 4PCS

Countersunk flat head screws



H16H High Speed Car Assemble

Screw:

M2684 $\varnothing 2.6 \times 8 \text{mm}$ 6PCS

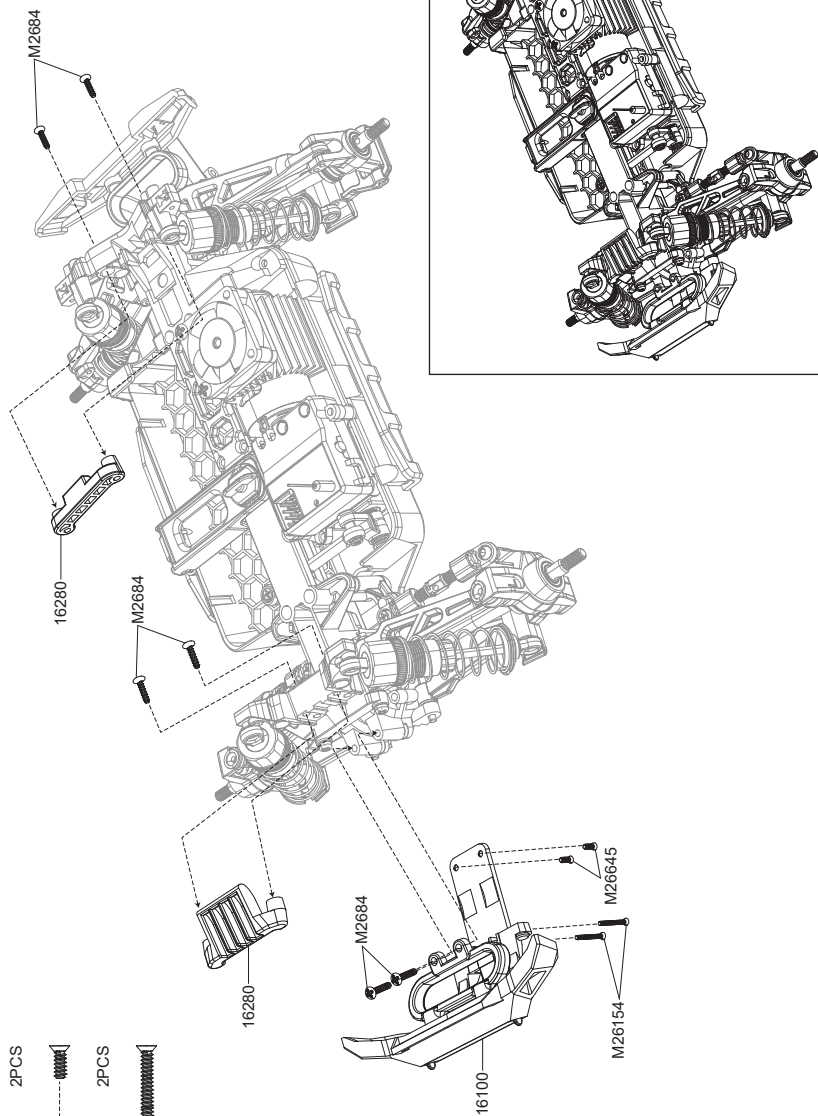
Round head screws

M26645 $\varnothing 2.6 \times 6 \text{mm}$ 2PCS

Countersunk flat head screws

M26154 $\varnothing 2.6 \times 15 \text{mm}$ 2PCS

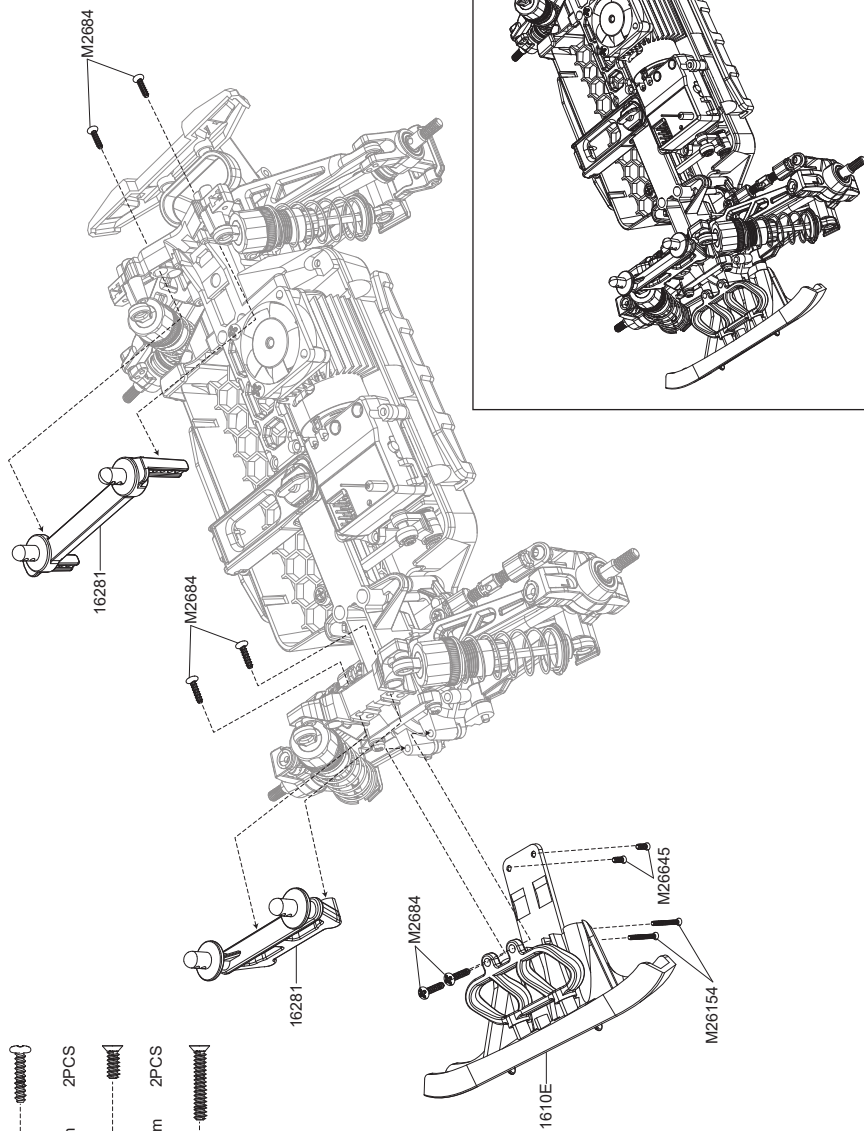
Countersunk flat head screws



H16E High Speed Car Assemble

Screw:

- M2684 $\varnothing 2.6 \times 8 \text{mm}$ 6PCS
Round head screws
- M26645 $\varnothing 2.6 \times 6 \text{mm}$ 2PCS
Countersunk flat head screws
- M26154 $\varnothing 2.6 \times 15 \text{mm}$ 2PCS
Countersunk flat head screws




High Speed Car Assemble

Iron shaft:

M20101 1PCS (4PCS)


Wheel hex pins ----- 

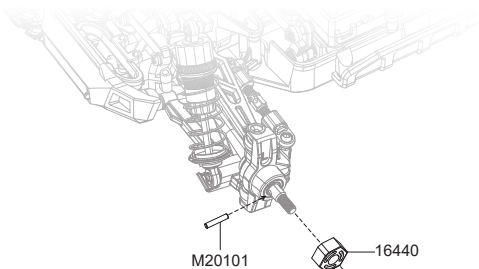
16440 1PCS (4PCS)

Wheel hex ----- 

Nut:

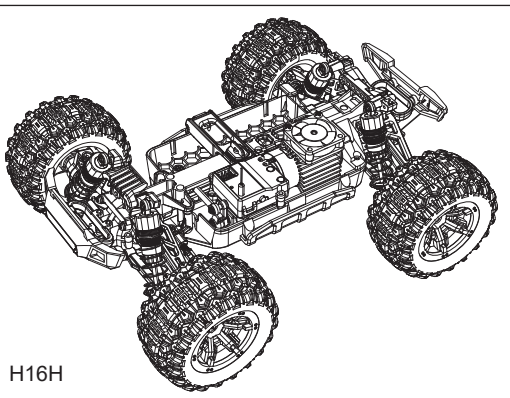
M40 1PCS (4PCS)

M4 Wheel lock nut ----- 

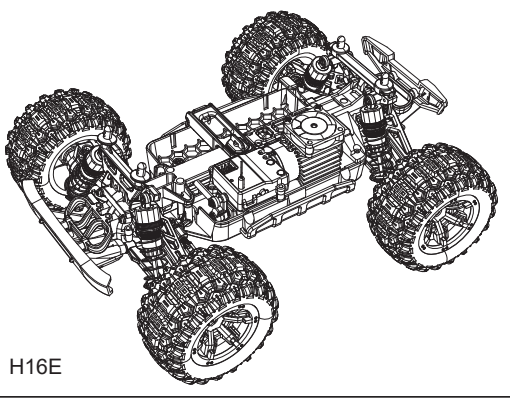


M20101

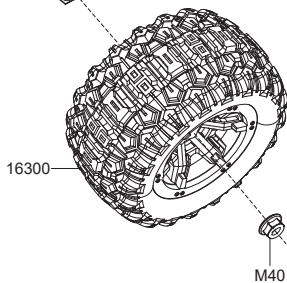
16440



H16H



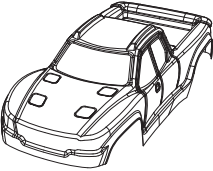
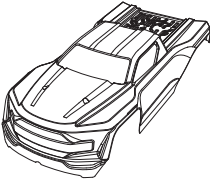

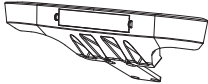
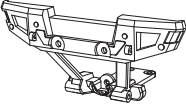
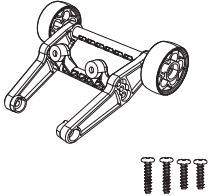
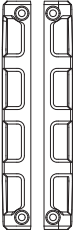
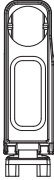
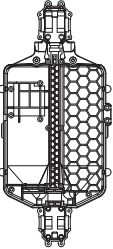
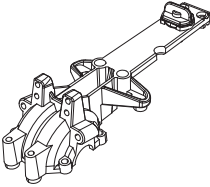
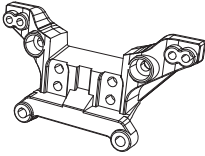
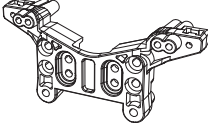
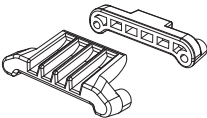
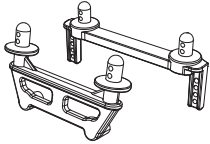
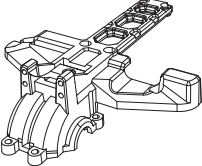
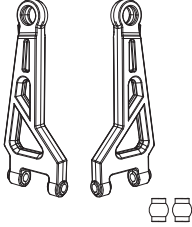
H16E



16300

M40


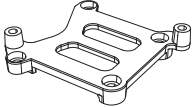
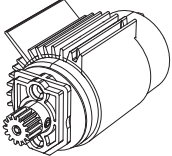

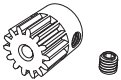
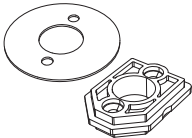
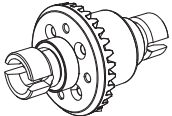

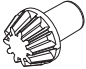

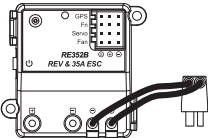
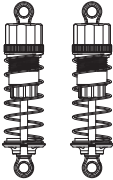
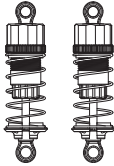

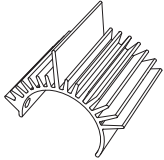
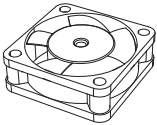

Spare Parts

			
1601A/1601B H16H Body (Pink/Blue)	1601E H16E Body	16100 (H16H) Front Bumper Assembly	1610E (H16E) Front Bumper Assembly
			
16110 Rear Bumper Assembly	16120 Wheelie Bar Assembly	16130 Chassis Parts	16140 Battery Clip
			
16150 Chassis	16160 Front Upper Gearbox Covers	16170 Front Shock Tower	16180 Rear Shock Tower
			
16280 (H16H) F/R Body Pillars	16281 (H16E) F/R Body Pillars	16190 Rear Upper Gearbox Covers	16210 Front Upper Suspension Arms (Including Ball Head)

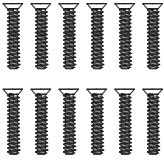
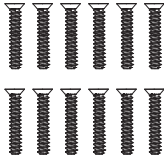
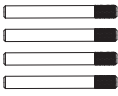
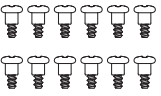


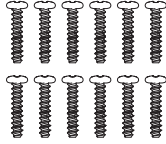



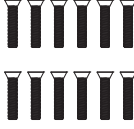
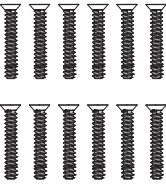
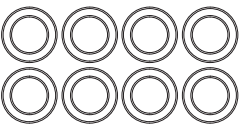



Spare Parts

<p>16220 Front Lower Suspension Arms (Including Ball Head)</p>	<p>16230 Steering Block</p>	<p>16240 Rear Upper Suspension Arms (Including Ball Head)</p>	<p>16250 Rear Lower Suspension Arms</p>
<p>16260 Rear Hubs</p>	<p>M25425 F/R Lower Suspension Arms Hinge Pins</p>	<p>M1640 F/R Reinforced Sheet</p>	<p>16300 Wheel Assembly (2PCS)</p>
<p>16410 Metal F/R CVD Shafts (2 Sets)</p>	<p>M20101 Wheel Hex Pins (8PCS)</p>	<p>16440 Wheel Hex</p>	<p>M40 M4 Wheel Lock Nut (8PCS)</p>
<p>16701 Servo</p>	<p>16702 Servo Saver Assembly</p>	<p>16430S Steering Assembly</p>	<p>16431 Steering Linkage (2PCS)</p>

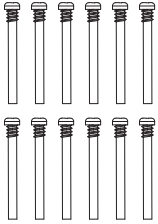
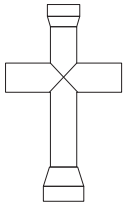
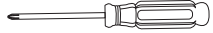
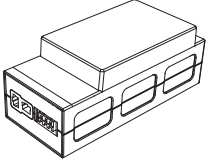
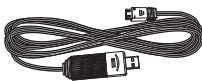
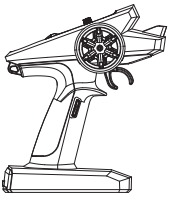
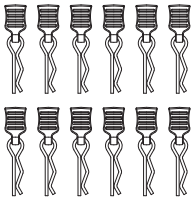
Spare Parts

			
<p>16432 Connecting Rod</p>	<p>16270 ESC/REV Fix Frame</p>	<p>1639A Motor Assembly</p>	<p>16390 390 Motor</p>
			
<p>16392 Motor Pinions (16T)</p>	<p>16393 Motor Guard</p>	<p>16420 Metal Gears Diff Assembly</p>	<p>16401 Spur Gear Assembly (Metal)</p>
			
<p>16402 Drive Gear (Metal)</p>	<p>16403 Centre Drive Shaft</p>	<p>RE352B Receiver & ESC</p>	<p>16500 (H16H) Metal Oil Filled Shocks</p>
			 
<p>16510 (H16E) Metal Oil Filled Shocks</p>	<p>G22 GPS Assembly</p>	<p>16395 Motor Heatsink</p>	<p>16397 Motor Fan</p>

Spare Parts

			
<p>M26124 Countersunk Flat Head Screws (12PCS)</p>	<p>M23124 Countersunk Flat Head Screws (12PCS)</p>	<p>M2523 Rear Fixing Pin (4PCS)</p>	<p>M26364 Step Flat Screws (12PCS)</p>
			
<p>M2384 Round Head Screws (12PCS)</p>	<p>M2664 Round Head Screws (12PCS)</p>	<p>M26104 Round Head Screws (12PCS)</p>	<p>M23104 Round Head Screws (12PCS)</p>
			
<p>M2684 Round Head Screws (12PCS)</p>	<p>M26645 Countersunk Flat Head Screws (12PCS)</p>	<p>M25845 Countersunk Machine Screws (12PCS)</p>	<p>M26154 Countersunk Flat Head Screws (12PCS)</p>
			
<p>M1810 Ball Bearing (8PCS)</p>	<p>R168Z Ball Bearing (8PCS)</p>	<p>Q1601 Steering Pivot Balls (8PCS)</p>	<p>Q1602 Steering Pivot Balls (8PCS)</p>

Spare Parts

			
<p>M3294 Round Head Half Thread Screws (12PCS)</p>	<p>P812 Hexagonal Wrench</p>	<p>P810 Screwdriver</p>	<p>B105A Battery</p>
			
<p>P2050 USB Charging Cable</p>	<p>T20 Transmitter</p>	<p>M001 (H16E) Body Clips (12PCS)</p>	



MADE IN CHINA

Instructions must be retained since it contains important information.